



Global Manufacturing and Trading Company S.L

Polígono Industrial los Vientos Calle Alisio, parcela nº4 46119, Náquera, Valencia, SPAIN

T +34 96 160 99 50 F +34 96 160 99 48

mantra@mantraco.org

www.mantrailuminacion.com



David Villalba

Mantra works with a very diverse team of freelance designers, specialized in different branches of design.

They are a group of highly qualified professionals experience in in the lighting sector, who contribute with original solutions in the development of new concepts; they also participate actively in the whole product development process, from the initial draft to the lasted finishing details.

This wide variety of styles that our designers offer have a direct impact on our catalogues, which are made up of ideas that are adapted to any type of lighting need.

Besides, we take pride in having a great relationship with them, which goes beyond the professional link. We truly rely on their capability and work methods, which have provided, such innovative and stylish collections so far.



José Ignacio Ballester

Mantra collabore avec une équipe de dessinateurs externes très diverse, spécialisés dans différentes branches dans le monde du design.

Des professionnels avec une grande expérience dans le secteur de l'illumination, qui apportent des solutions innovatrices au développement de nouveaux concepts, et participent dans tous les processus de fabrication du produit, depuis le brouillon jusqu'à la conception du produit final.

cette grande variété de styles influence directement notre catalogue, qui est composé de solutions qui s'adaptent à tous les styles ou besoins dans le monde de l'illumination.

notre relation avec l'équipe de designers va plus loin que le contact professionnel, nous avons confiance sur leur savoir-faire, et leur méthodes de travail qui nous apporte fraîcheur et innovation, pour chacune de nos collections.



Santiago Sevillano

Mantra colabora con un equipo de diseñadores externos muy diverso, especializados en diversas ramas dentro del mundo del diseño.

Profesionales con experiencia en el sector de la iluminación que aportan soluciones novedosas en el desarrollo de nuevos conceptos, participando en todos los procesos de desarrollo del producto, desde el boceto inicial hasta la concepción del producto final.

Esta gran variedad de estilos que nos ofrecen incide directamente en nuestro catálogo, el cual está compuesto por soluciones que se adaptan a cualquier tipo de estilo o necesidad dentro del mundo de la iluminación.

Nuestro trato con los diseñadores va más allá de un mero trato profesional, confiamos plenamente en su buen hacer y en sus métodos de trabajo que nos aporta frescura e innovación en cada una de nuestras colecciones.



Hugo Tejada

Mantra collabora con un team di designer esterni molto diversi, specializzati in varie branche nel mondo del design.

Professionisti con esperienza nel settore dell'illuminazione che forniscono soluzioni innovative nello sviluppo di nuovi concetti, partecipando a tutti i processi di sviluppo del prodotto, dallo schizzo iniziale alla concezione del prodotto finale.

Questa ampia varietà di stili che ci offre influisce direttamente sul nostro catalogo, che è composto da soluzioni che si adattano a qualsiasi tipo di stile o esigenza nel mondo dell'illuminazione.

Il nostro trattamento con i designer va oltre un semplice trattamento professionale, confidiamo pienamente nel loro buon lavoro e nei loro metodi di lavoro che ci danno freschezza e innovazione in ciascuna delle nostre collezioni.



Wilfried Buelacher

+

JW design

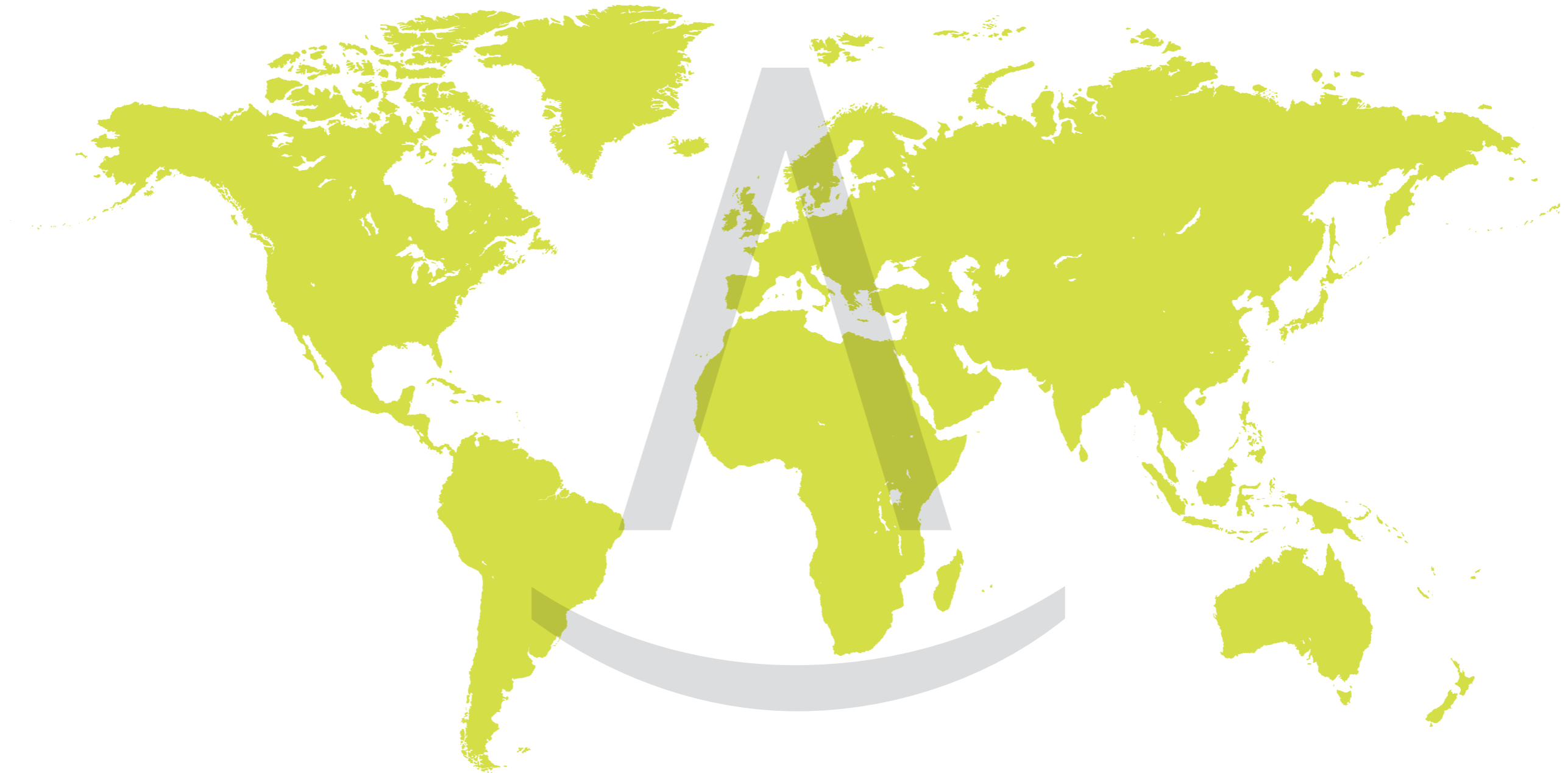
+



Jackie Luo

MANTRA EN EL MUNDO

MANTRA AROUND THE WORLD



+ 50
paises
countries

+ 20
años
years

+ 2000
clientes
customers

mAntra

+ 50
países
countries

+20
años
years

+ 2000
clientes
customers



Base de logística - Distribución
Warehousing - Distribution



Dpto. de diseño y creación de producto
Product design and development department

Dpto. de gestión comercial y administrativa
Sales and Administrative department

Sede España, Náquera (Valencia)
Located Valencia Spain



TÉCNICO - TECHNICAL

ANTARES	40
CERES	50
COOK	76
DURBAN	78
ERIS	66
FIJI	22
GUINCHO	28
IOS	18
ÍPSILON	10
ORION	30
POLAR	72
TRACKS/CARRILES TRIFÁSICOS	82
VENUS	60

EXTERIOR - OUTDOOR

ALPINE	124
BACHELOR	118
CHAMONIX	114
CHEVALIER	138
CONEXIÓN IP68	148
CYCLE	84
K2	142
K3	146
KLAPPEN	144
LEVI	110
MERIBEL	130
POLINESIA	88
SAPPORO	140
SOLDEN	120
TAOS	104
UTAH	128
VERBIER	126
YETI	136
BOMBILLAS	149

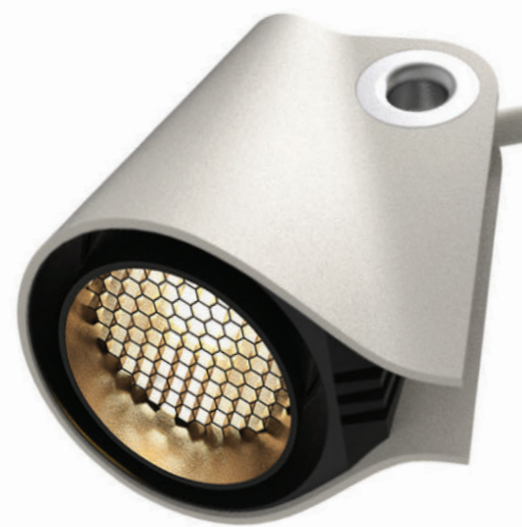
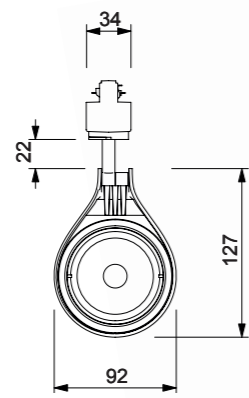
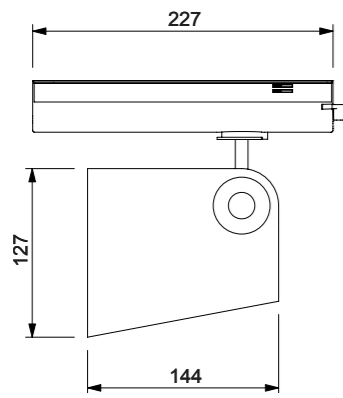






7315 Blanco-White
LED 35W 3000k 3500lm

7316 Blanco-White
LED 35W 4000k 3850lm



Lentes-Lens
ref 7319_13°
ref 7320_24°
ref 7321_38° Included.



Panal de abeja-Honeycomb
ref 7322



Aluminio-Aluminium 220-240V~50/60Hz CRI > 90



DRIVER
TUV

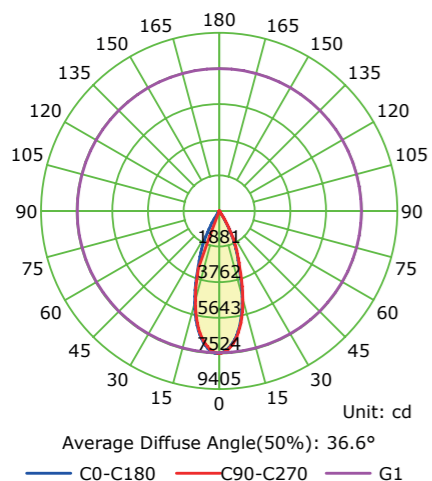
Registered N° 007663331-0017

7317 Negro-Black
LED 35W 3000k 3500lm

7318 Negro-Black
LED 35W 4000k 3850lm



Luminous Intensity Distribution Curve



Distance(m)	E (lx)	Dh(m)	D (m)	v(m)	Eav(lx)
1.0	7514.17	0.66	0.66	1.582.83	
2.0	1878.54	1.32	1.32	395.71	
3.0	834.91	1.98	1.98	175.87	
4.0	469.64	2.64	2.64	98.93	
5.0	300.57	3.30	3.31	63.31	
6.0	208.73	3.96	3.97	43.97	
7.0	153.35	4.62	4.63	32.30	
8.0	117.41	5.28	5.29	24.73	
9.0	92.77	5.94	5.95	19.54	
10.0	75.14	6.60	6.61	15.83	

Beam Angle: H36.5 V36.6 Field Angle: H62.5 V52.7

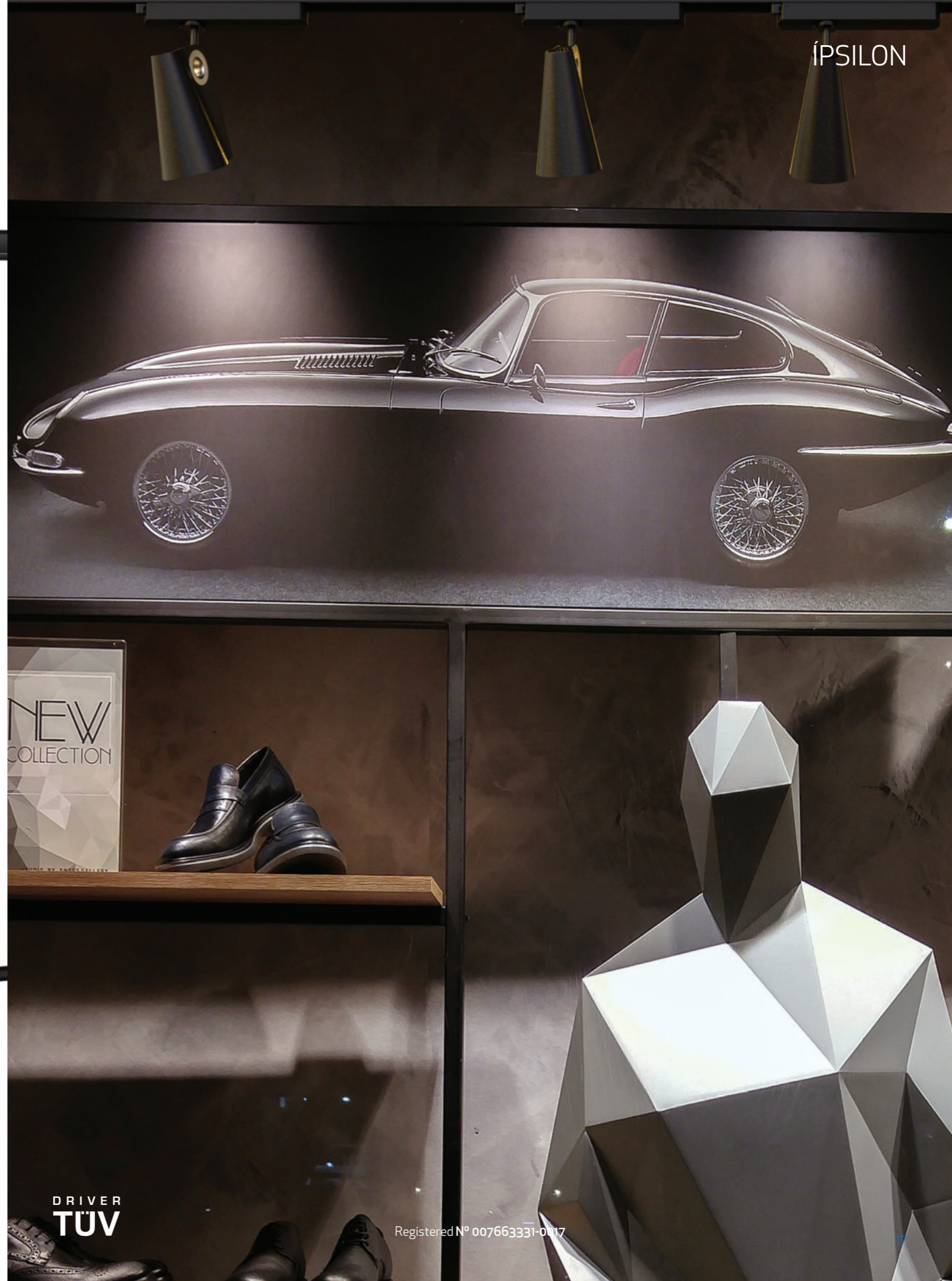
Lentes-Lens
ref 7319_13°
ref 7320_24°
ref 7321_38° Included.



Panal de abeja-Honeycomb
ref 7322



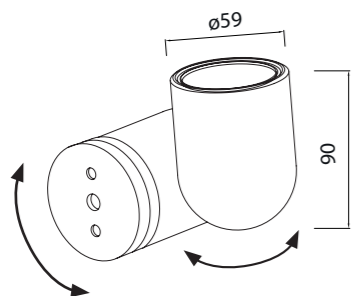
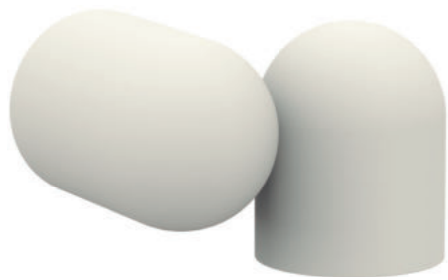
Aluminio-Aluminium 220-240V~50/60Hz CRI> 90





7294 Blanco-White
1L x GU10 (no incl.)

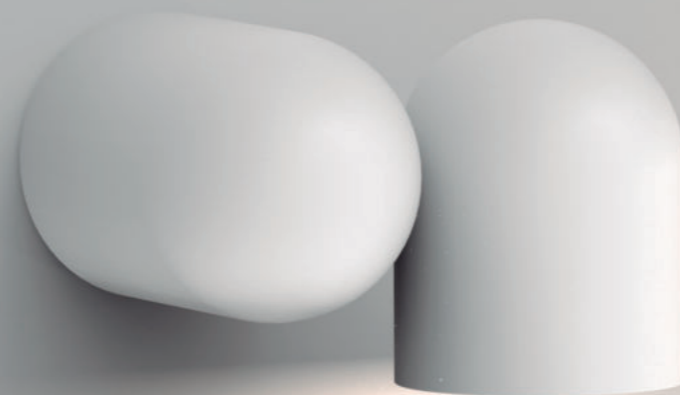
7295 Negro-Black
1L x GU10 (no incl.)



Visita www.mantrailuminacion.com/videos-mantra



Aluminio-Aluminium 100-240V~ 50/60Hz GU10 máx.12W Led





7200 Blanco-White
LED 15W 3000K 1500lm

7201 Blanco-White
LED 20W 3000K 2000lm

7202 Blanco-White
LED 30W 3000K 3000lm

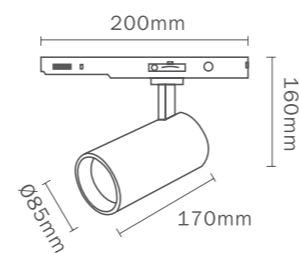
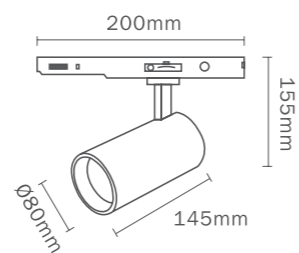
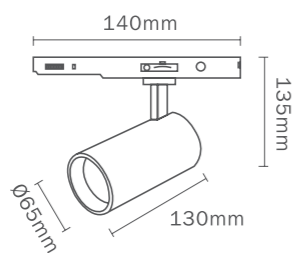
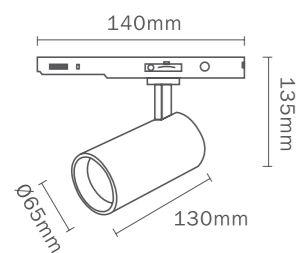
7203 Blanco-White
LED 40W 3000K 4000lm

7204 Blanco-White
LED 15W 4000K 1650lm

7205 Blanco-White
LED 20W 4000K 2200lm

7206 Blanco-White
LED 30W 4000K 3300lm

7207 Blanco-White
LED 40W 4000K 4400lm



ÓPTICAS 15/20W
ref **7216** _{15°}
ref **7217** _{24°}
ref **7218** _{38°} Included.

ÓPTICAS 15/20W
ref **7216** _{15°}
ref **7217** _{24°}
ref **7218** _{38°} Included.

ÓPTICAS 30W
ref **7219** _{15°}
ref **7220** _{24°}
ref **7221** _{38°} Included.

ÓPTICAS 40W
ref **7222** _{15°}
ref **7223** _{24°}
ref **7224** _{38°} Included.



Aluminio-Aluminium 220-240V~50/60Hz CRI> 90





7208 Negro-Black
LED 15W 3000K 1500lm

7209 Negro-Black
LED 20W 3000K 2000lm

7210 Negro-Black
LED 30W 3000K 3000lm

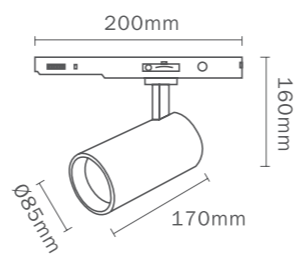
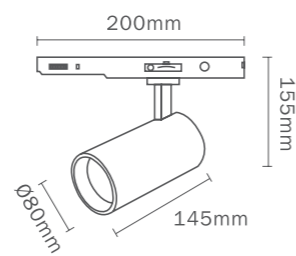
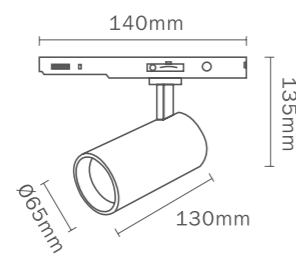
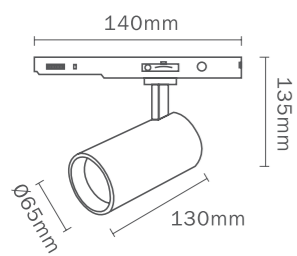
7211 Negro-Black
LED 40W 3000K 4000lm

7212 Negro-Black
LED 15W 4000K 1650lm

7213 Negro-Black
LED 20W 4000K 2200lm

7214 Negro-Black
LED 30W 4000K 3300lm

7215 Negro-Black
LED 40W 4000K 4400lm



ÓPTICAS 15/20W
ref 7216_15°
ref 7217_24°
ref 7218_38° Included.

ÓPTICAS 15/20W
ref 7216_15°
ref 7217_24°
ref 7218_38° Included.

ÓPTICAS 30W
ref 7219_15°
ref 7220_24°
ref 7221_38° Included.

ÓPTICAS 40W
ref 7222_15°
ref 7223_24°
ref 7224_38° Included.



Aluminio-Aluminium 220-240V~50/60Hz CRI>90

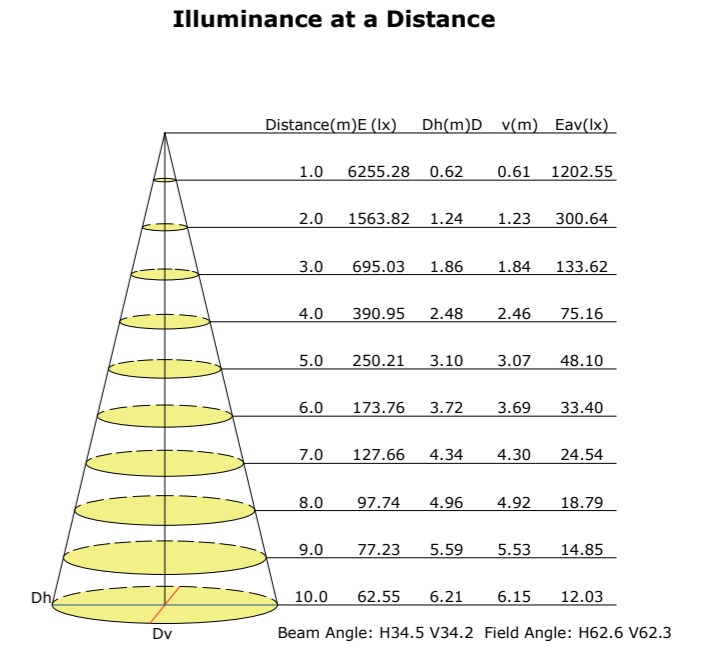
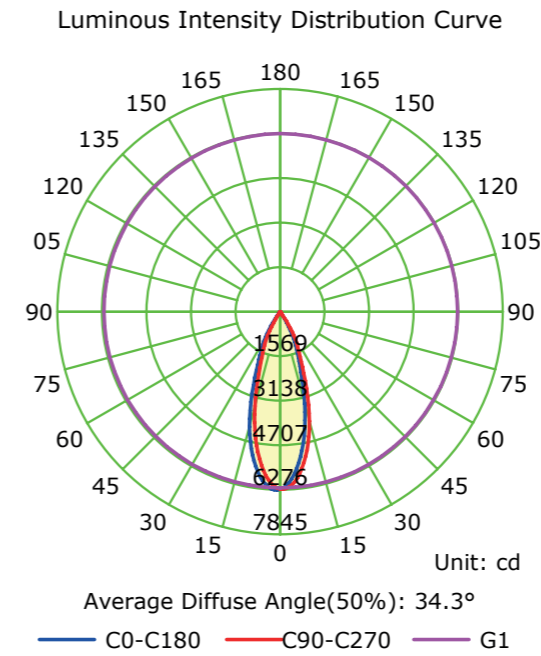
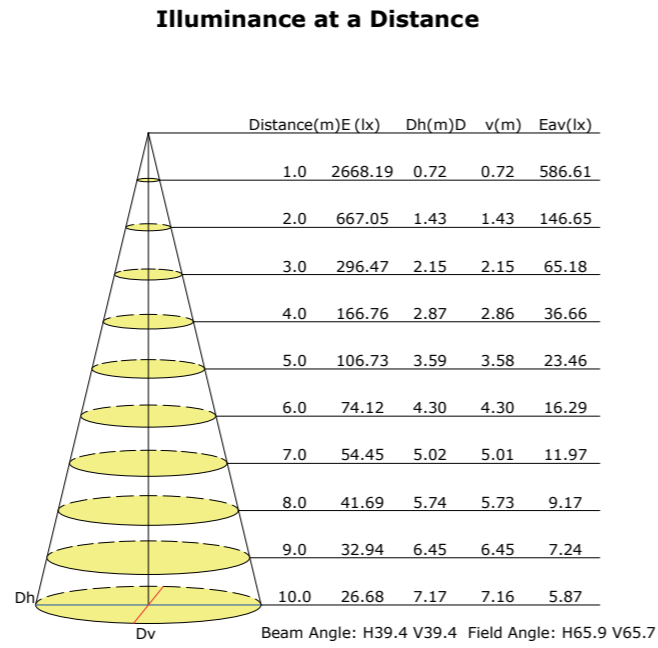
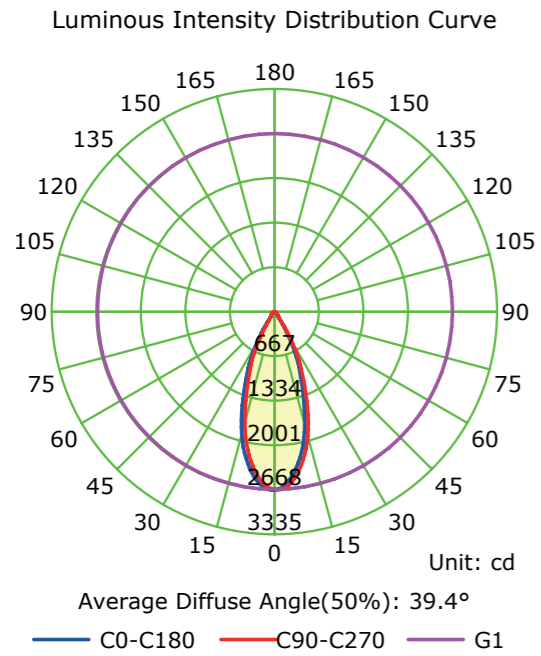


NEW COLLECTION



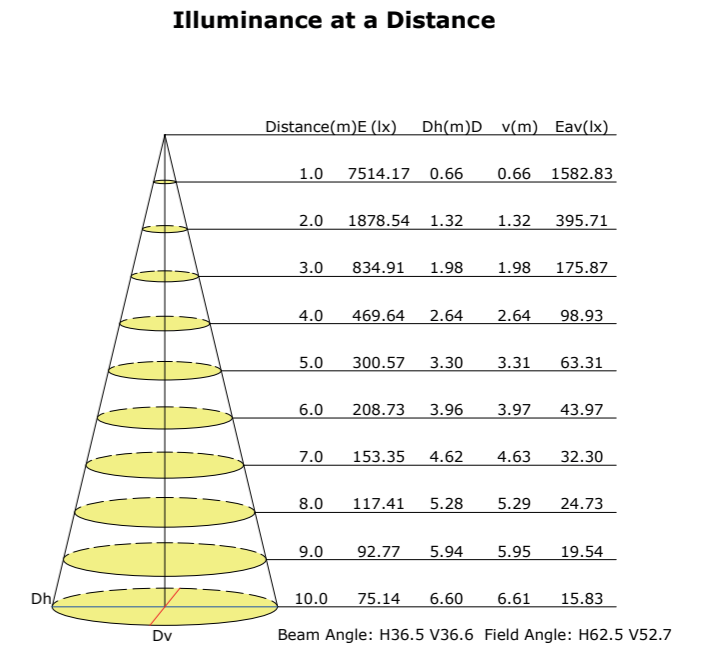
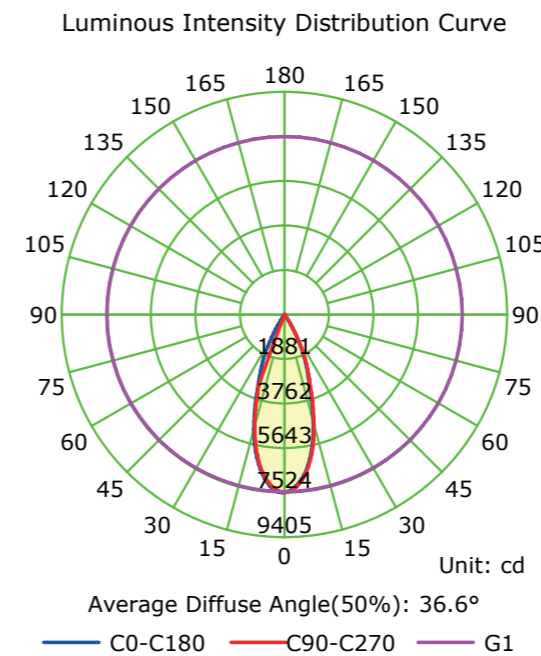
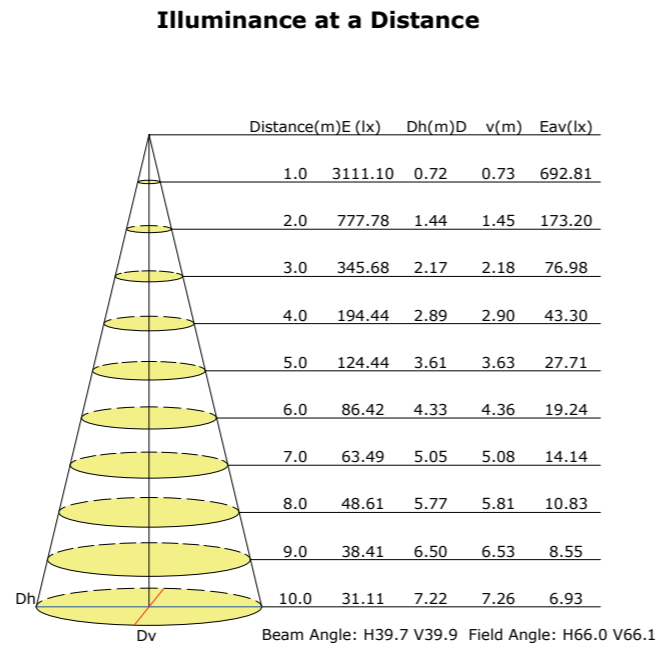
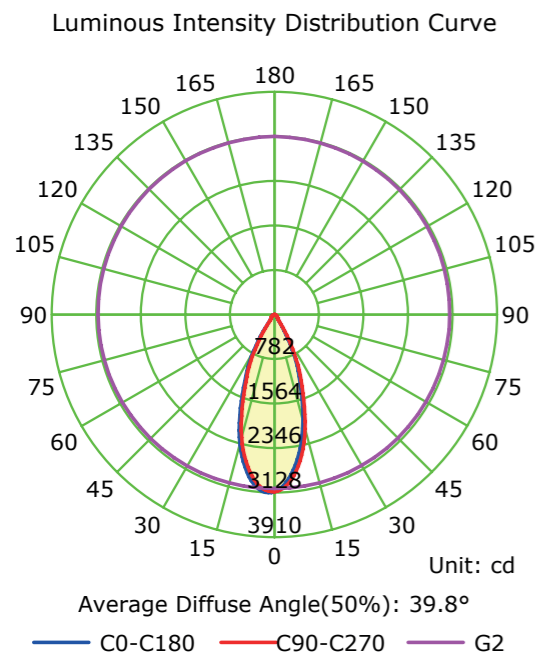
LED 15W 4000K 38°

LED 30W 4000K 38°



LED 20W 4000K 38°

LED 40W 4000K 38°





ORION
Hugo Tejada

Lámparas de techo-Pendant Lamp



ORION
3000K



ORION
Hugo Tejada

7305 Negro +Cuero-Black +Antique brass
LED 8W 590lm

Lámparas de techo-Pendant Lamp



cable 1,8 m



Aluminio-Aluminium 220-240V~50/60Hz CRI> 80

ORION
3000K

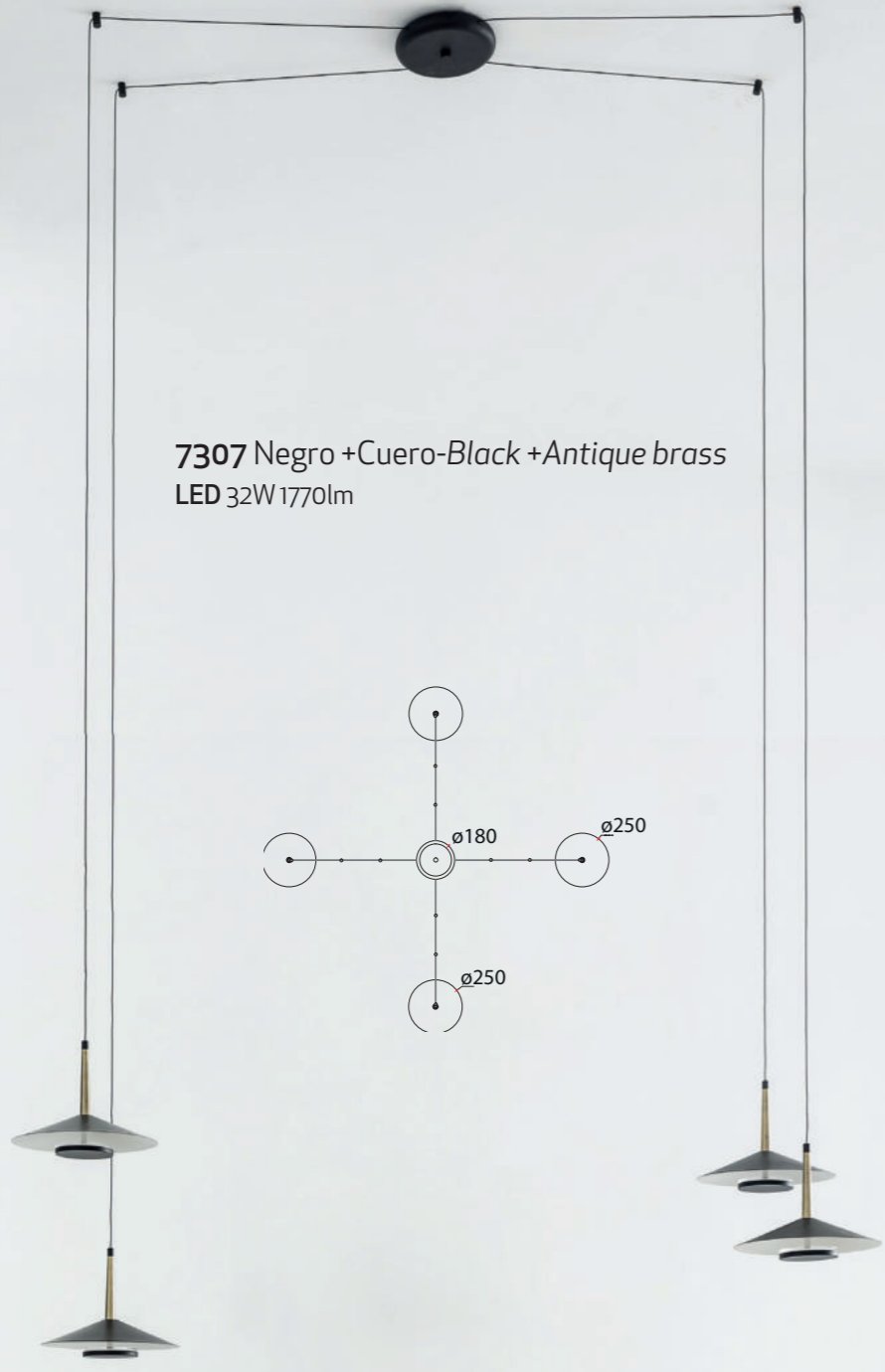
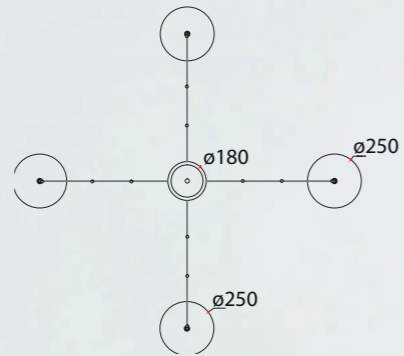


DRIVER
TÜV

Registered N° 007663331-0014

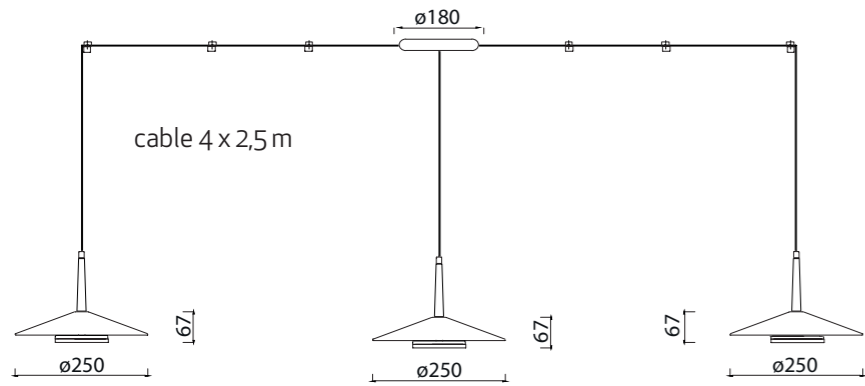
ORION
Hugo Tejada

7307 Negro +Cuero-Black +Antique brass
LED 32W 1770lm



Lámparas de techo-Pendant Lamp

ORION
3000K



7308 Blocacables-WireLocker
12 pcs included



Aluminio-Aluminium 220-240V~50/60Hz CRI> 80

DRIVER
TÜV

Registered N° 007663331-0014





ANTARES
Hugo Tejada



Registered N° 007663331-0010

ANTARES
3000K



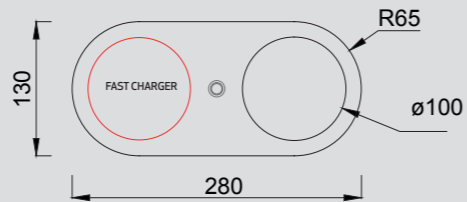
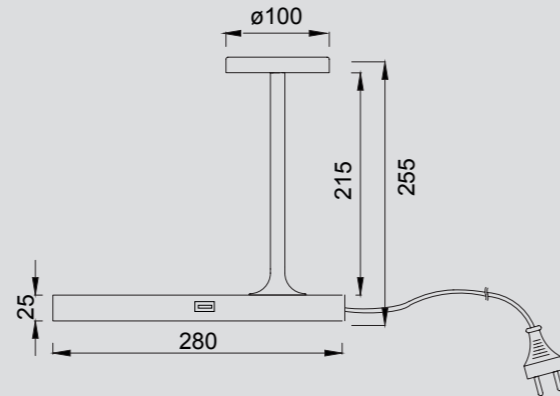
DRIVER
TUV



7290 Blanco-White
LED 6W 450lm



USB + Cargador de Inducción
USB + Induction Charger



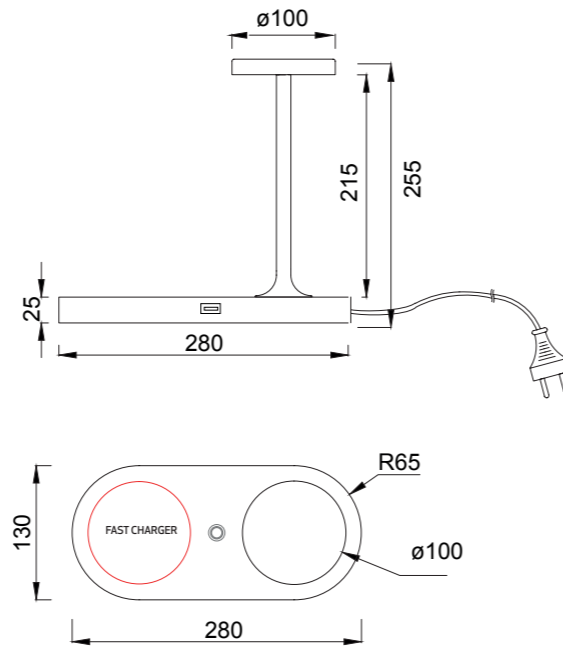
Aluminio-Aluminium 220-240V~50/60Hz CRI> 80

CERES
Hugo Tejada

7291 Negro-Black
LED 6W 450lm



USB + Cargador de Inducción
USB + Induction Charger



Aluminio-Aluminium 220-240V~50/60Hz CRI> 80

CERES
3000K



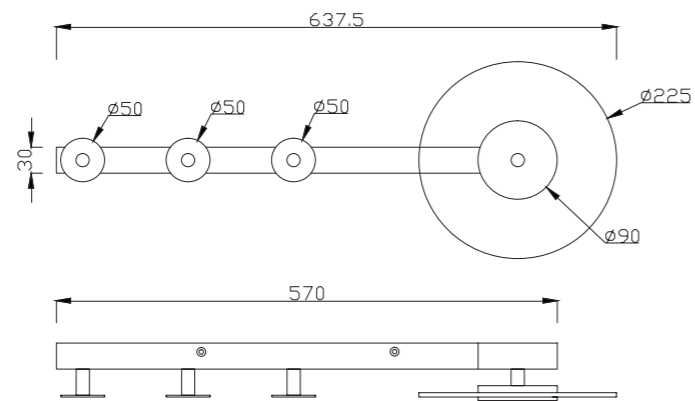
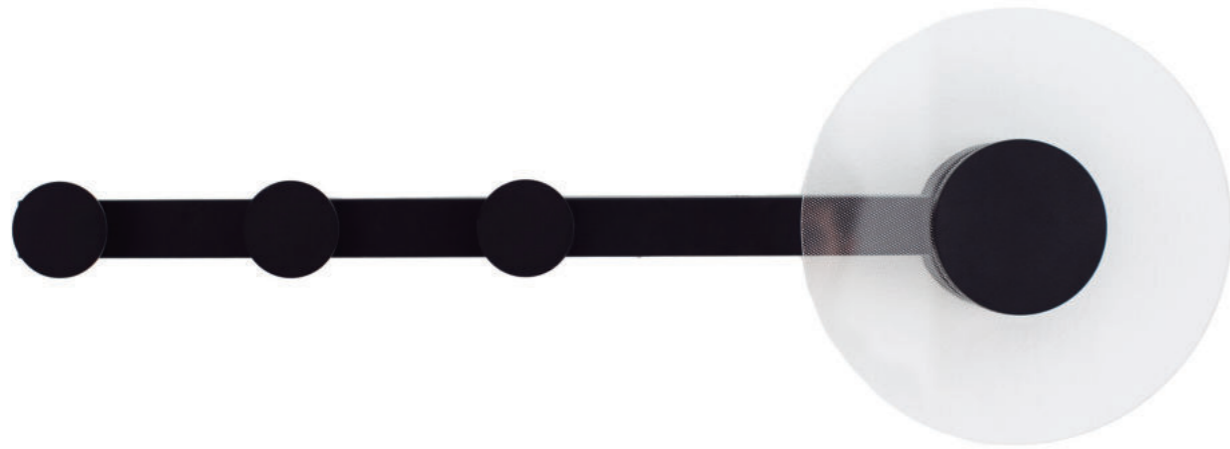
Registered N° 007663331-0011







7293 Negro-Black
LED 6W 490lm



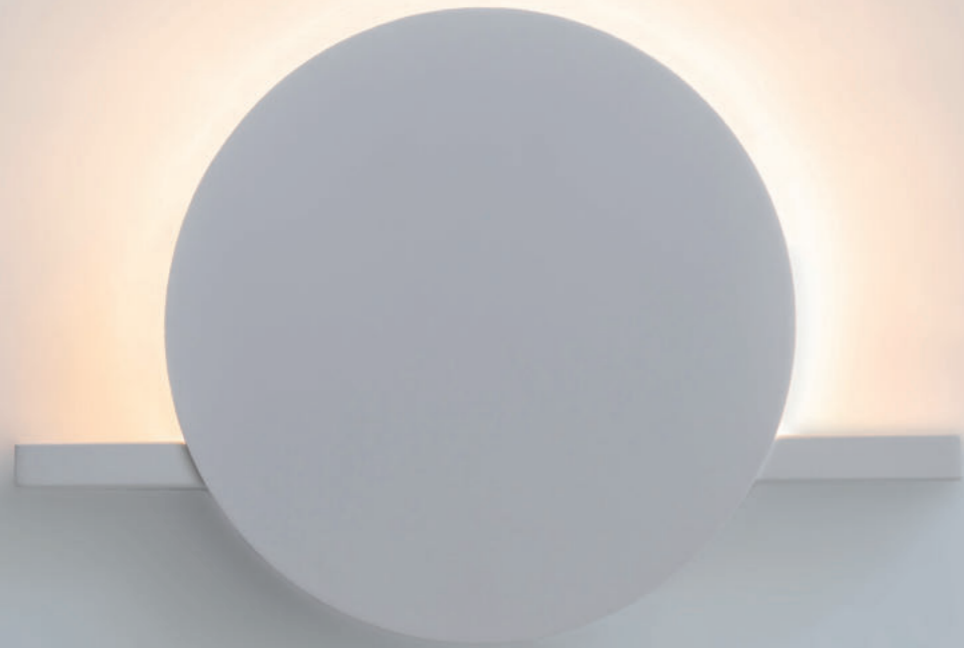
Aluminio/cristal-Aluminium/glass 220-240V~ 50/60Hz CRI> 80



Registered N° 007663331-0016

ERIS

Hugo Tejada



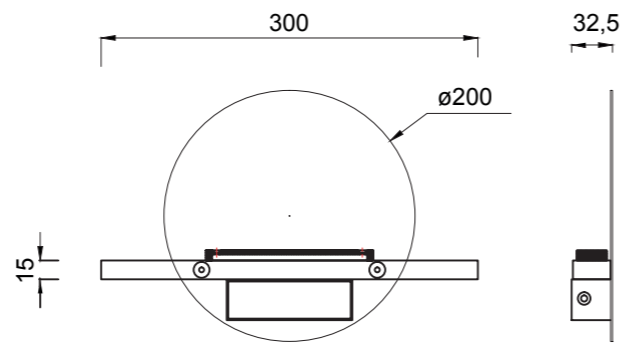
ERIS

3000K



7296 Blanco-White
LED 8W 640lm

7297 Negro-Black
LED 8W 640lm



Aluminio-Aluminium 220-240V~ 50/60Hz CRI>80



DRIVER
TUV

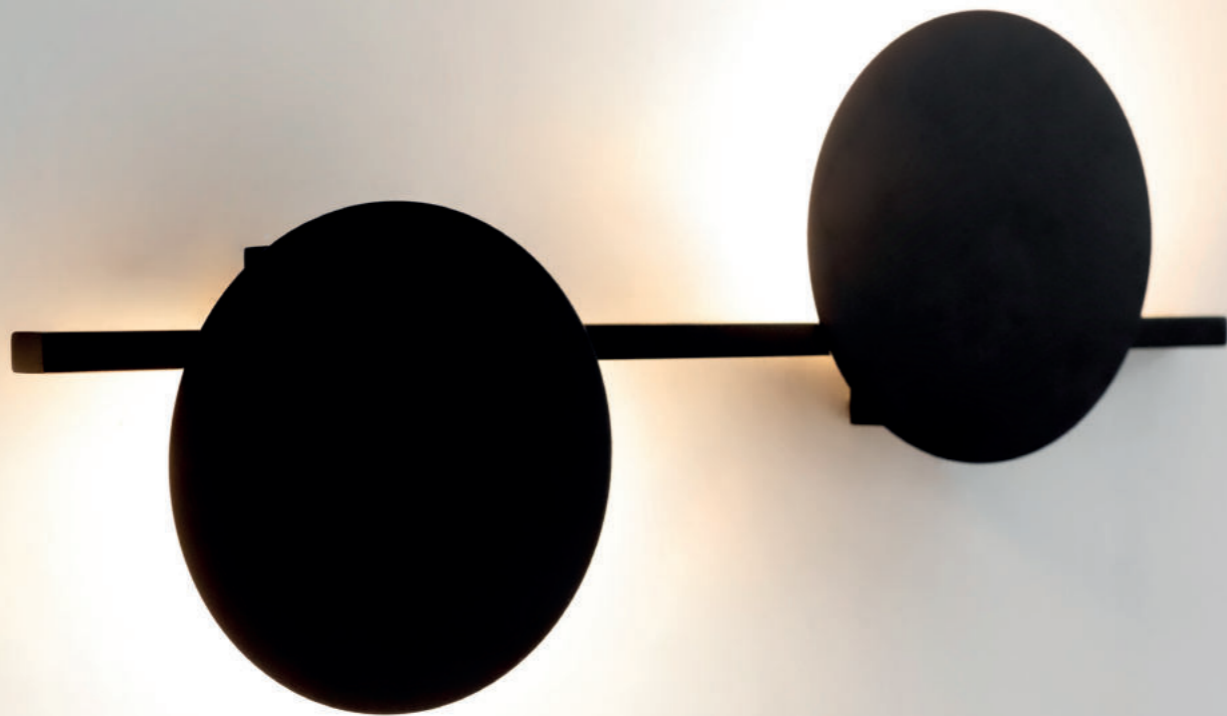
Registered N° 007663331-0012

ERIS

Hugo Tejada

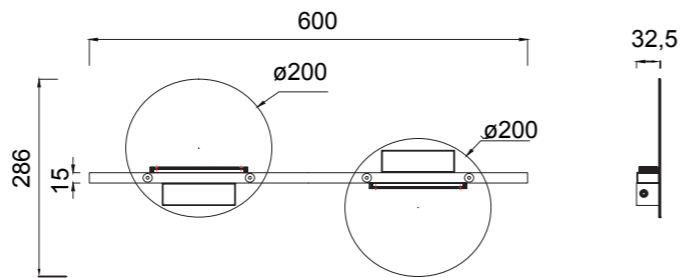
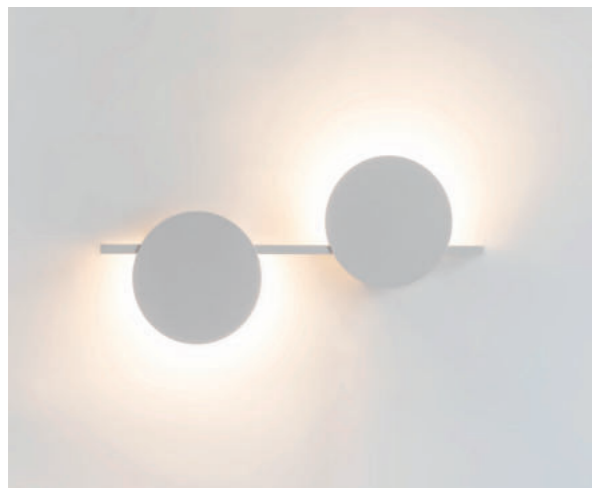
ERIS

3000K



7299 Negro-Black
LED 16 W 1280lm

7298 Blanco-White
LED 16 W 1280lm



Aluminio-Aluminium 220-240V~ 50/60Hz CRI > 80

DRIVER
TÜV

Registered N° 007663331-0012

ERIS

Hugo Tejada



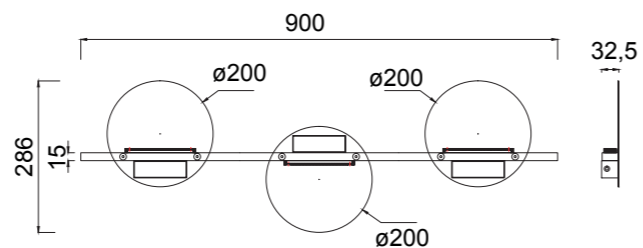
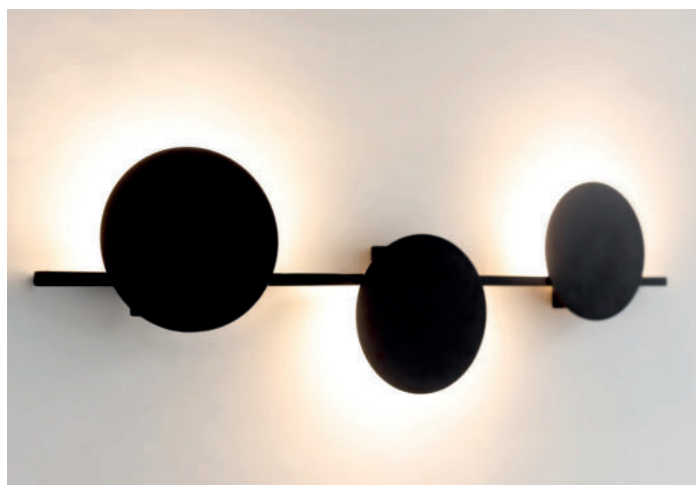
ERIS

3000K



7300 Blanco-White
LED 24W 1920lm

7301 Negro-Black
LED 24W 1920lm



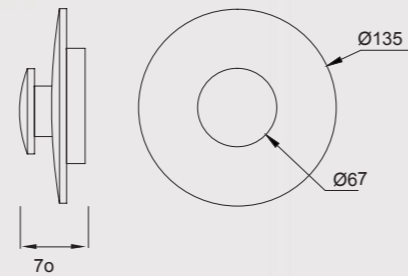
Aluminio-Aluminium 220-240V~ 50/60Hz CRI> 80



DRIVER TÜV

Registered N° 007663331-0012

7241 Negro-Black
LED 6W 540lm



Aluminio-Aluminium 100-240V~ 50/60Hz CRI: > 80



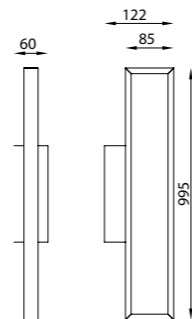
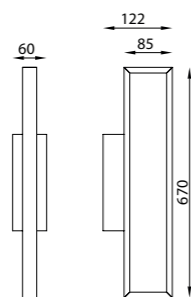
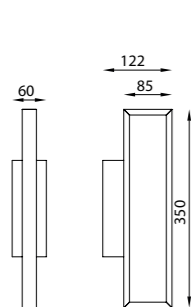
DURBAN

3000K

7175 Negro-Black
LED 10W 780lm 100-250V

7176 Negro-Black
LED 20W 1550lm 100-250V

7177 Negro-Black
LED 30W 2300lm 220-240V



Aluminio-Aluminum 50/60Hz CRI> 80

DURBAN

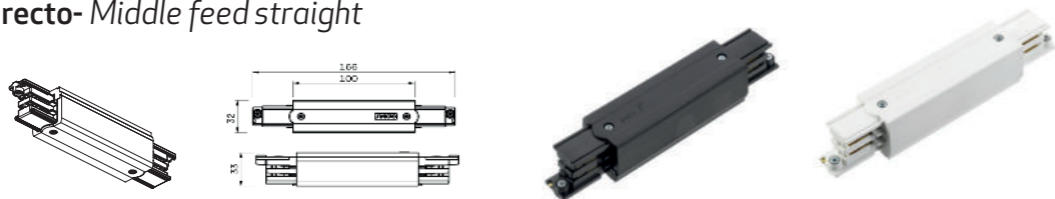
3000K



DRIVER
TUV

Alimentador intermedio recto- Middle feed straight

XTS 142 Negro-Black
XTS 143 Blanco-White



Conector intermedio recto-Middle Straight Connector

XTS 212 Negro-Black
XTS 213 Blanco-White



Conector esquina ajustable-Adjustable corner connector

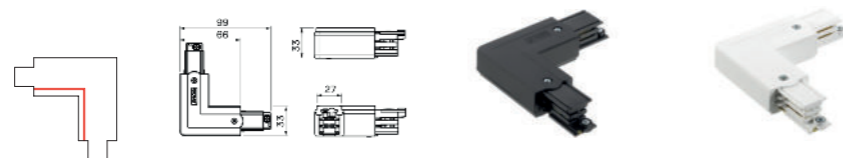
XTS 242 Negro-Black
XTS 243 Blanco-White



Conexión alimentador en L- polaridad interna

L-Feed Polarity Internal

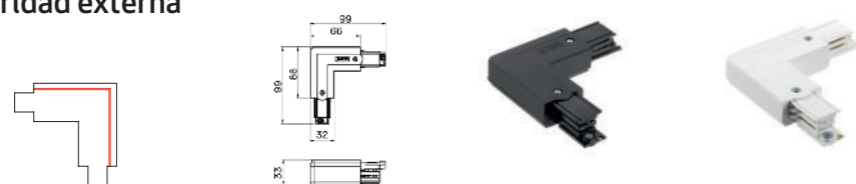
XTS 342 Negro-Black
XTS 343 Blanco-White



Conexión alimentador en L- polaridad externa

L-Feed Polarity external

XTS 352 Negro-Black
XTS 353 Blanco-White



Kit suspension carril 1,5 m -Suspension Kit 1,5 m

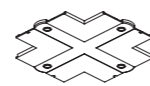
SPW11SK 215 length 1500 mm Negro-Black
SPW11SK 315 length 1500 mm Blanco-White



Placa cubrir para XTS112/XTS122/XTS142
XTSF 102 Negro-Black



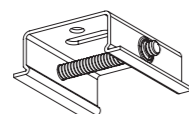
Placa cubrir para XTS342/XTS352
XTSF 302 Negro-Black



Cover Plate for XTS113/XTS123/XTS143
XTSF 103 Blanco-White

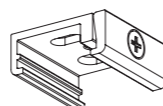
Cover Plate for XTS343/XTS353
XTSF 303 Blanco-White

Leva rápida fijacion techo
Fast mounting clamp



SKB 102 Negro-Black
SKB 103 Blanco-White

Leva fijación techo fundición
Standard Clamp Die Cast



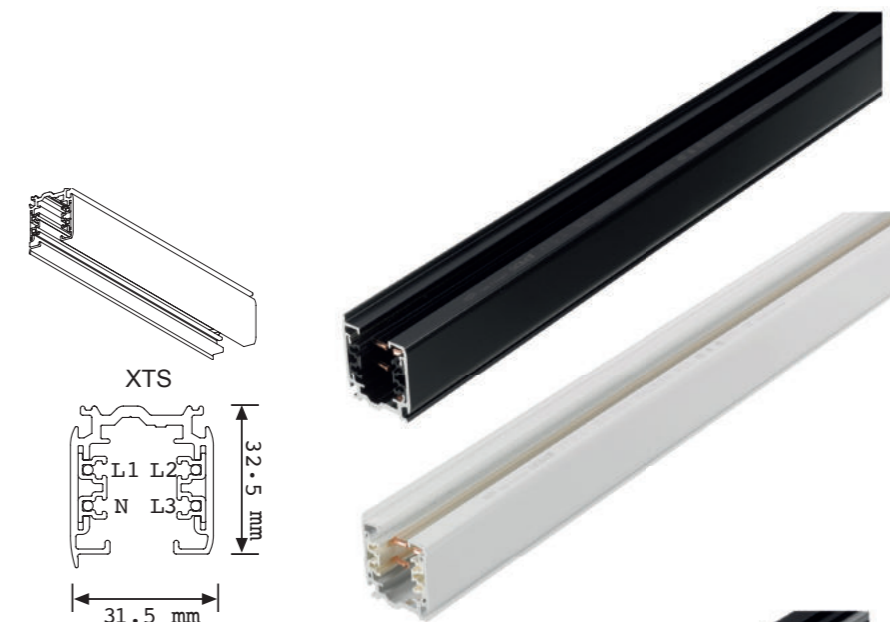
SKB 122 Negro-Black
SKB 123 Blanco-White

TRACKS

Carril Superficie-Surface mounted track

XTS 41002 Negro-Black
XTS 41003 Blanco-White
Track length 1000 mm

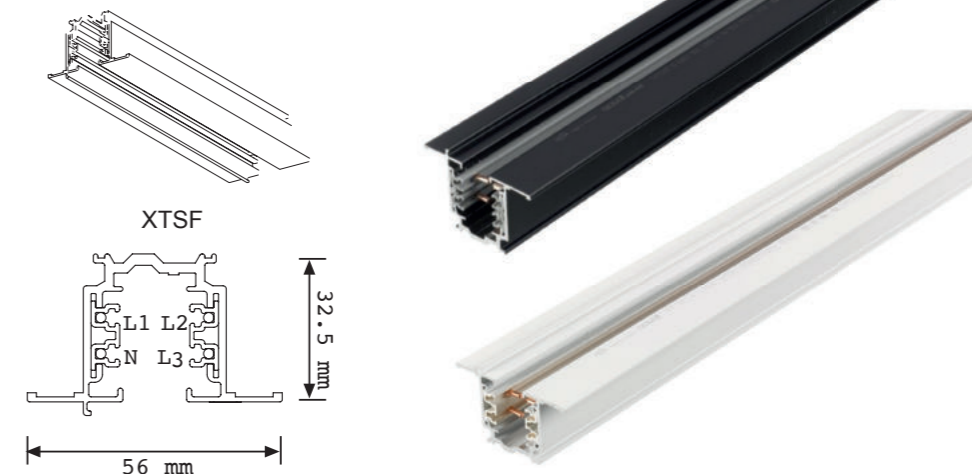
XTS 42002 Negro-Black
XTS 42003 Blanco-White
Track length 2000 mm



Carril de empotrar-Recessed track

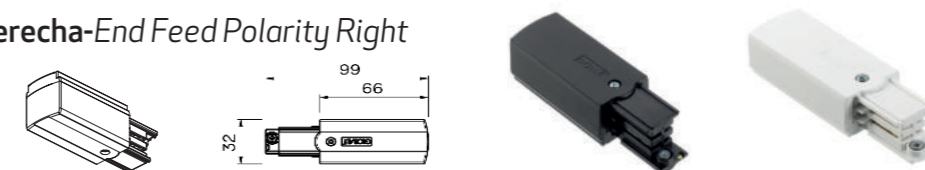
XTSF41002 Negro-Black
XTSF41003 Blanco-White
Track length 1000 mm

XTSF42002 Negro-Black
XTSF 42003 Blanco-White
Track length 2000 mm



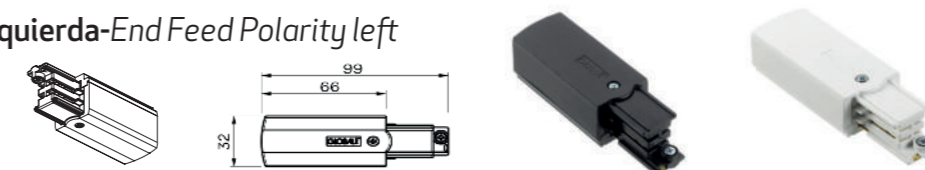
Final alimentador polaridad derecha-End Feed Polarity Right

XTS 112 Negro-Black
XTS 113 Blanco-White



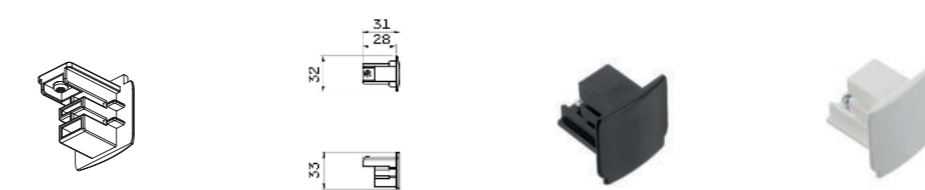
Final alimentador polaridad izquierda-End Feed Polarity left

XTS 122 Negro-Black
XTS 123 Blanco-White



Tapa final-End Cap

XTS 412 Negro-Black
XTS 413 Blanco-White

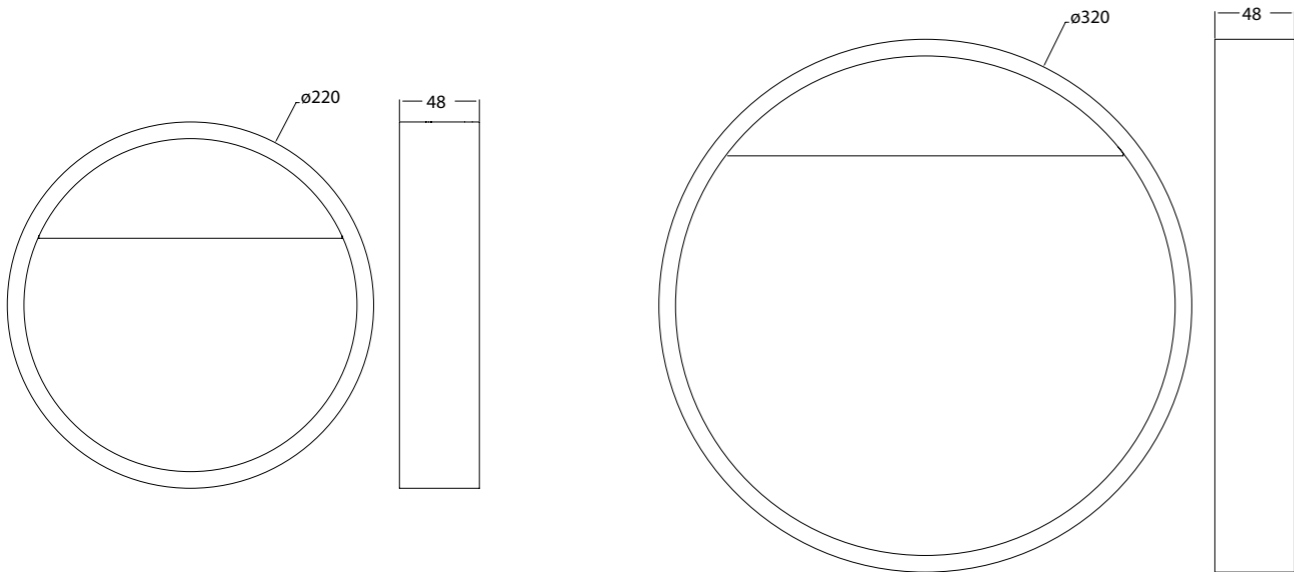






6850 Gris + mader-Grey + wood
LED 10W 800lm

6851 Gris + mader-Grey + wood
LED 12W 960lm



Aluminio-Aluminium 110-240V~ 50/60Hz CRI >80







7130 Beige oscuro-Dark beige
1L x E27 (no incl.)

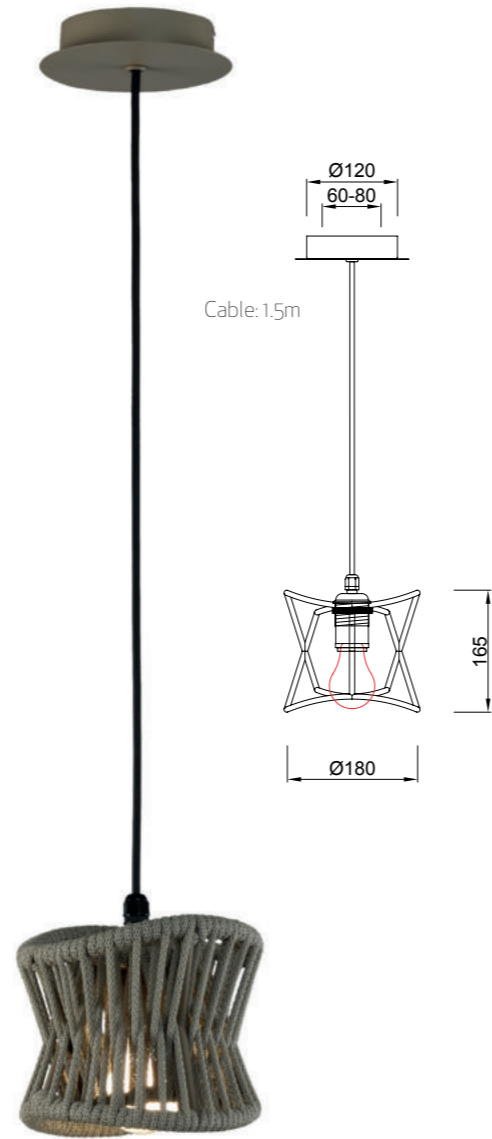


Aluminio/fibra textil sintética-Aluminium/synthetic textile fibre 100-240V~ 50/60Hz E27 máx.20W Led



7131 Beige oscuro-Dark beige
1L x E27 (no incl.)

7132 Beige oscuro-Dark beige
1L x E27 (no incl.)

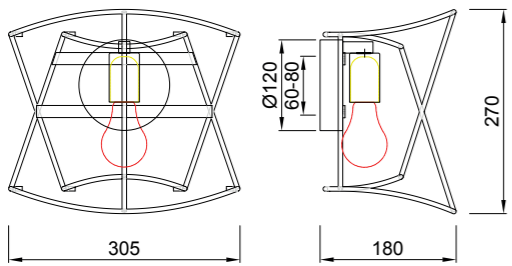


Aluminio/fibra textil sintética-Aluminium/synthetic textile fibre 100-240V~ 50/60Hz E27 máx.20W Led



Registered N° 007663331-0007

7133 Beige oscuro-Dark beige
1L x E27 (no incl.)



Aluminio/fibra textil sintética-Aluminium/synthetic textile fibre
100-240V~ 50/60Hz E27 máx.20W Led

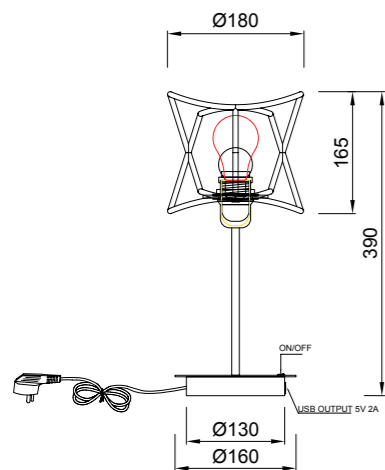
Registered N° 007663331-0009

7134 Beige oscuro-Dark beige
1L x E27 (no incl.)



ON/OFF

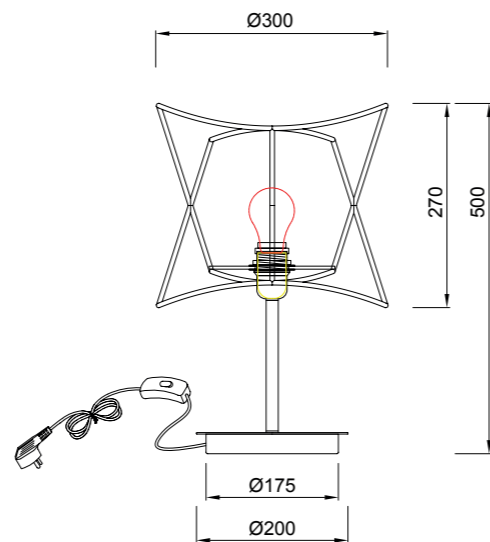
USB OUTPUT 5V 2A



7137 Beige oscuro-Dark beige
1L x E27 (no incl.)



Ø300



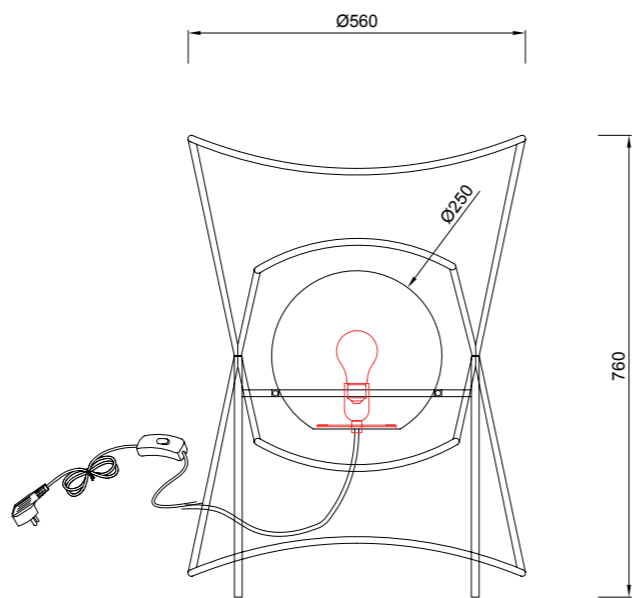
Aluminio/fibra textil sintética-Aluminium/synthetic textile fibre 100-240V~50/60Hz E27 máx.20W Led



Registered N° 007663331-0007



7136 Beige oscuro-Dark beige
1L x E27 (no incl.)

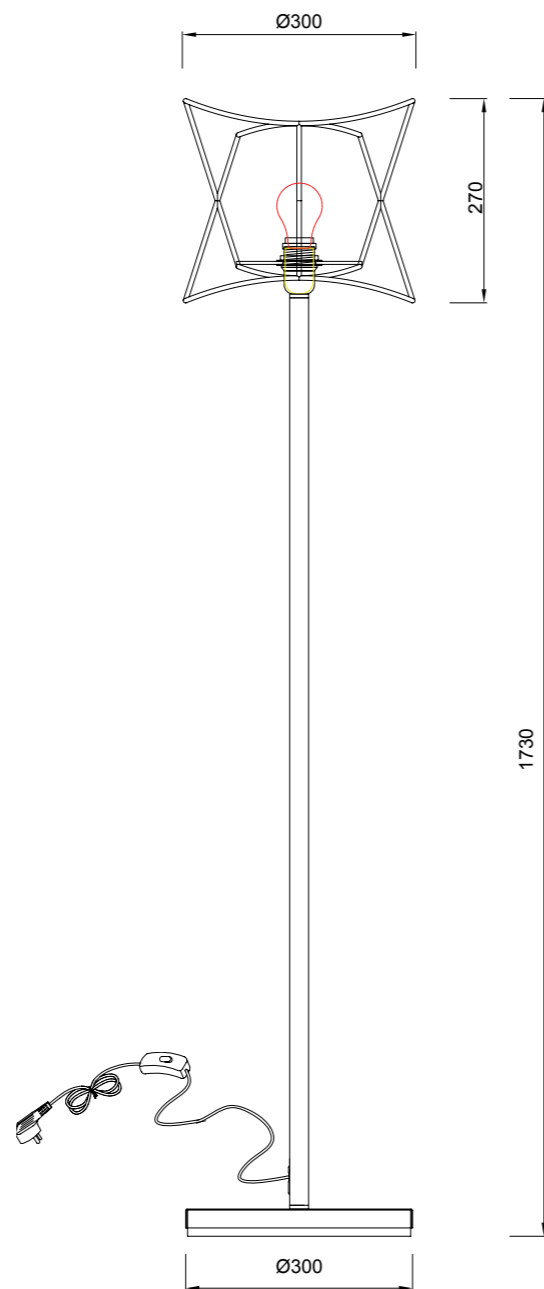


Aluminio/fibra textil sintética-Aluminium/synthetic textile fibre 100-240V~ 50/60Hz E27 máx.20W Led





7138 Beige oscuro-Dark beige
1L x E27 (no incl.)



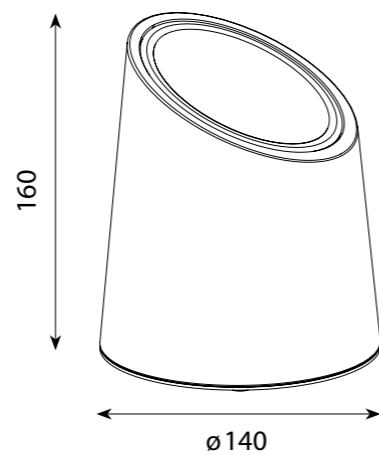
Aluminio/fibra textil sint3tica-Aluminium/synthetic textile fibre 100-240V~ 50/60Hz E27 m3x.20W Led



Registered N° 007663331-0009



7107 Gris Piedra-Stone Grey
1L x GU10 (no incl.)



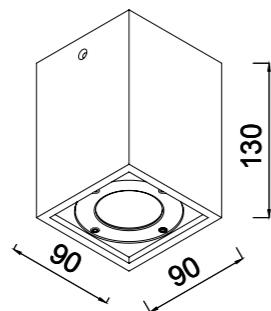
Cemento liso-Smooth cement 100-240V~ 50/60Hz GU10 máx.12W Led





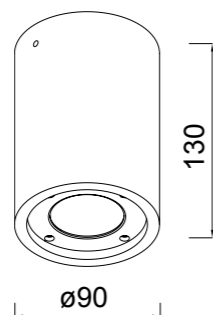
7186 Blanco-White
1L x GU10EW(no incl.)W

7187 Gris oscuro-Dark grey
1L x GU10 (no incl.)



7184 Blanco-White
1L x GU10 (no incl.)

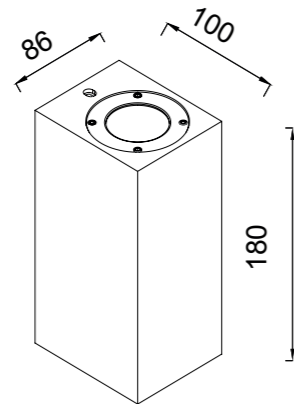
7185 Gris oscuro-Dark grey
1L x GU10 (no incl.)





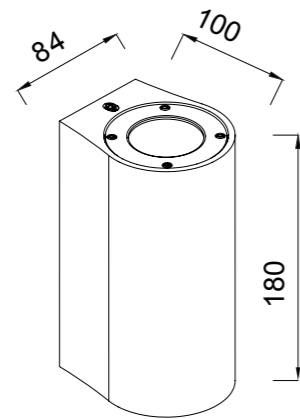
7182 Blanco-White
2L x GU10 (no incl.)

7183 Gris oscuro-Dark grey
2L x GU10 (no incl.)



7180 Blanco-White
2L x GU10 (no incl.)

7181 Gris oscuro-Dark grey
2L x GU10 (no incl.)



Hormigón-Concrete 100-240V~ 50/60Hz GU10 máx.12W Led

SOLDEN
3000K

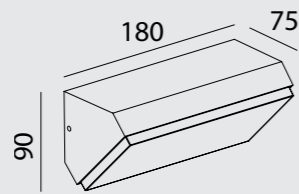
Aplique exterior-Outdoor wall lamp



SOLDEN
3000K

7070 Gris oscuro-Dark grey
LED 9W 773lm

7071 Blanco-White
LED 9W 773lm



Aluminio/PC-Aluminium/PC 100-240V~ 50/60Hz CRI> 80



ALPINE
3000K

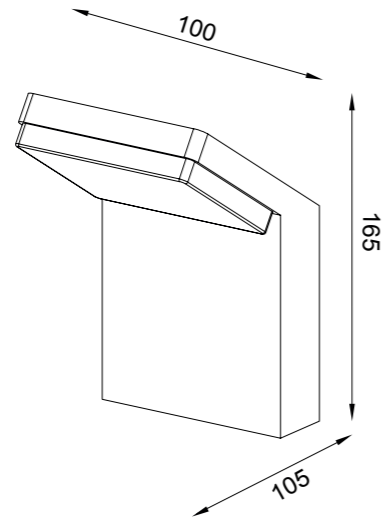
Aplique exterior-Outdoor wall lamp



ALPINE

7045 Gris Oscuro- Dark Grey
LED 6W 510lm

7046 Blanco-White
LED 6W 510lm



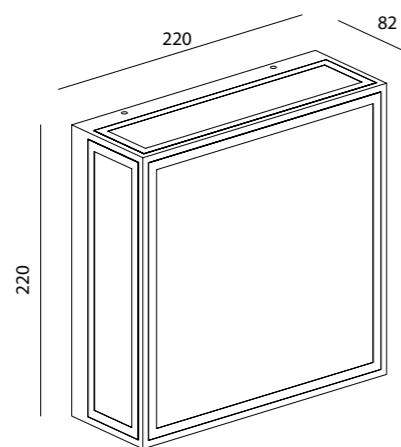
Aluminio-Aluminum 220-240V~ 50/60Hz CRI> 80

DRIVER
TÜV



7065 Gris Oscuro-Dark Grey
2L x E27 (no incl.)

7066 Gris Oscuro-Dark Grey
2L x E27 (no incl.)

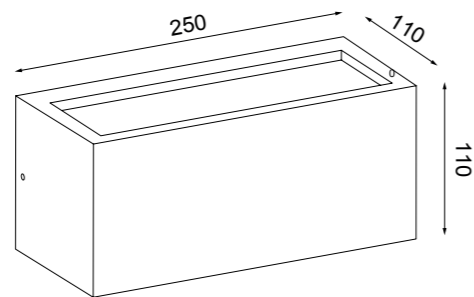


Aluminio/Cristal-Aluminium/Glass 100-240V~ 50/60Hz E27 máx.20WLed



7050 Gris Oscuro-Dark Grey
1L x E27 (no incl.)

7051 Blanco-White
1L x E27 (no incl.)



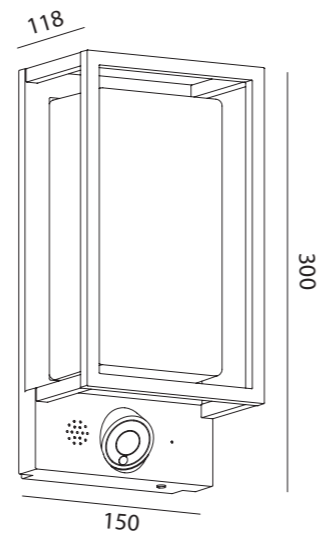
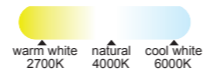
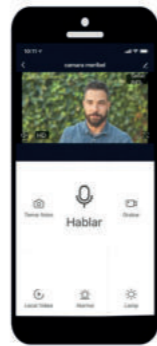
Aluminio-Aluminium 100-240V~ 50/60Hz E27 máx. 20WLED

MERIBEL
2700K-6000K

Aplique exterior-Outdoor wall lamp



7087 Grafito-Graphite
LED 9W 530 lm



Visita www.mantrailuminacion.com/videos-mantra



Aluminio-Aluminium 220-240V ~ 50/60Hz CRI > 80



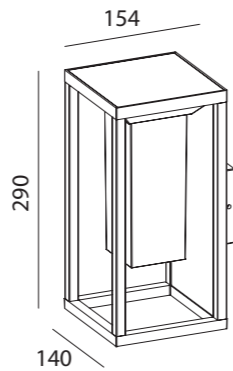
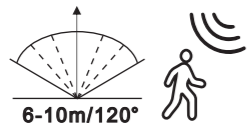
MERIBEL

3000K



7086 Grafito-Graphite
LED 2,2W188 lm

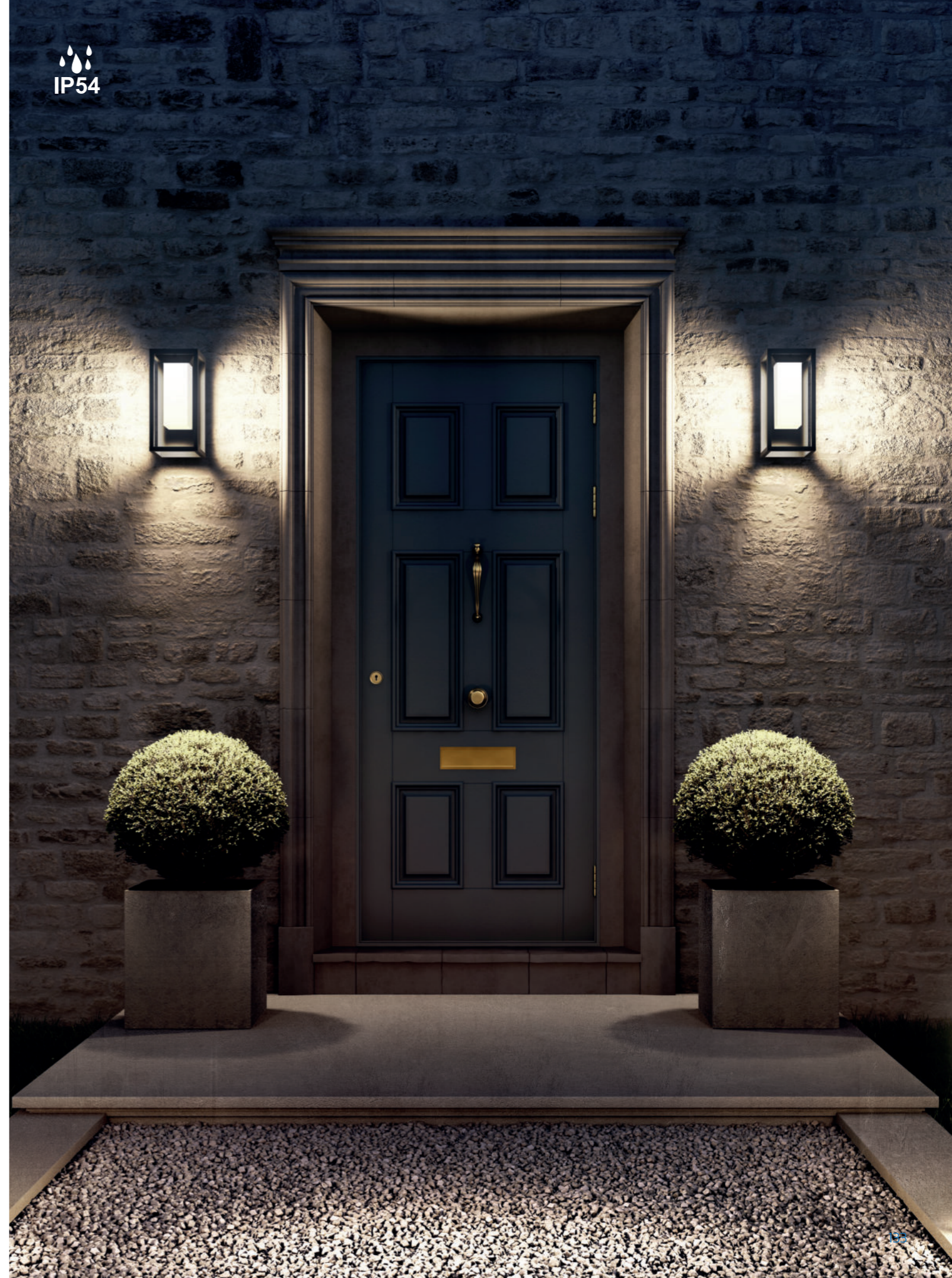
PIR sensor
A:120°
D:≤6m



Charge: 6-8h (Sunshine)
Work time : Full light 3h / Micro light 25h



Aluminio-Aluminium DC 3.7V CRI > 80

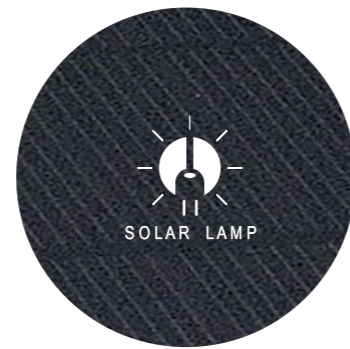


MERIBEL

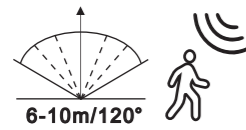
3000K



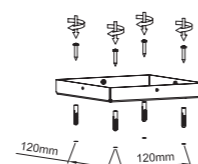
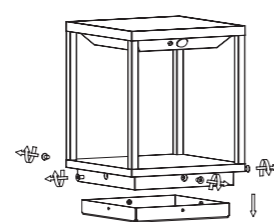
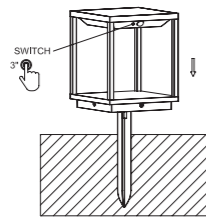
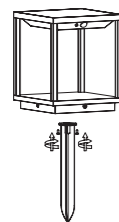
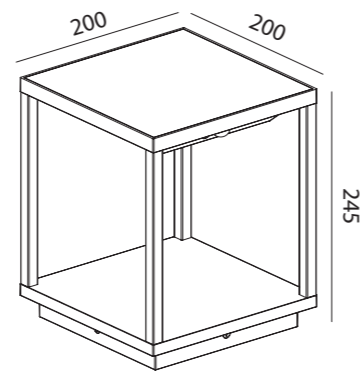
7085 Grafito-Graphite
LED 3,5W 300lm



PIR sensor
A:120°
D:≤6m



Charge: 6-8h (Sunshine)
Work time : Full light 3h / Micro light 25h



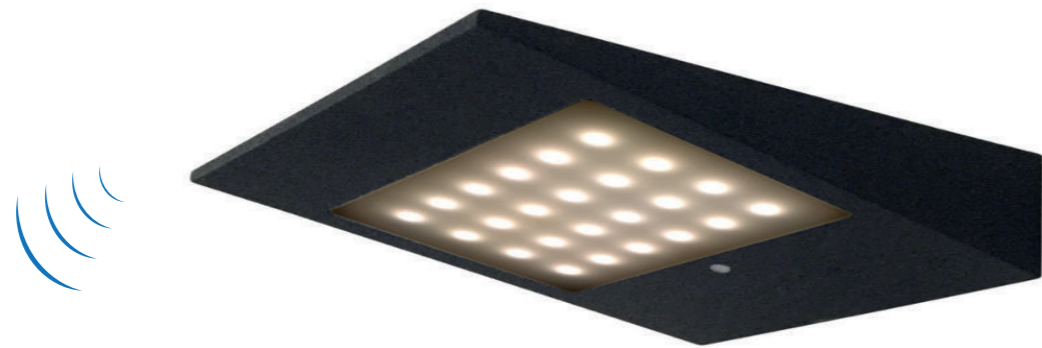
Aluminio-Aluminium DC 3.7V CRI > 80



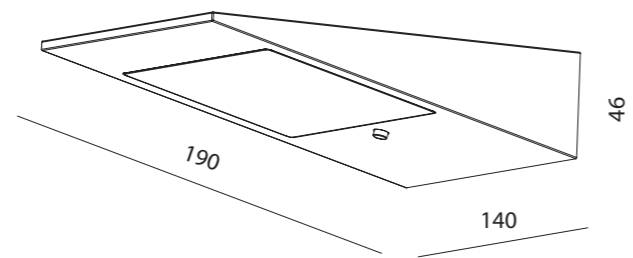
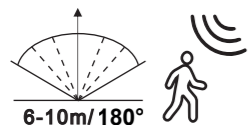
YETI
3000K



7098 Grafito-Graphite
LED 2,2W 188lm



PIR sensor
A: 180°
D: ≤6m



Charge: 6-8h (Sunshine)
Work time: Full light 3h / Micro light 25h



Aluminio-Aluminium DC 3.7V CRI > 80



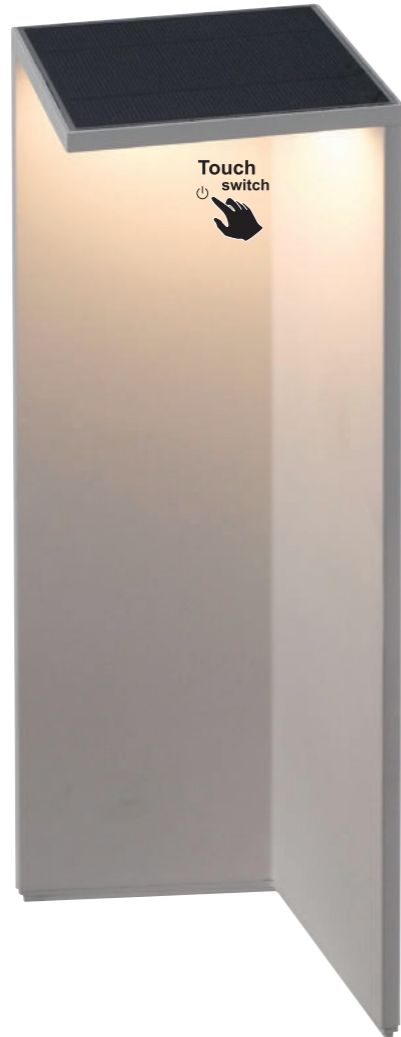
IP54

CHEVALIER
3000K



CHEVALIER
3000K

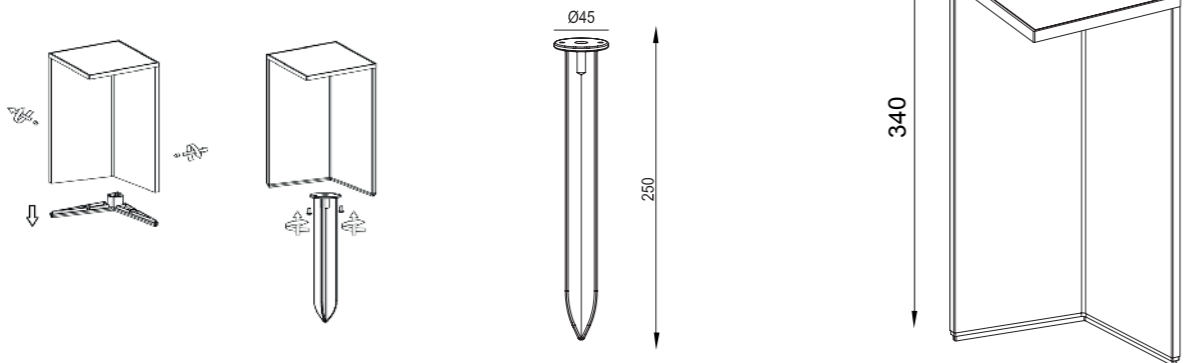
7088 Grafito-Graphite
LED 2,2W 188lm



PIR sensor
A: 120°
D: ≤6m



Charge: 6-8h (Sunshine)
Work time: Full light 3h / Micro light 25h



Aluminio - Aluminium DC 3,7V CRI > 80

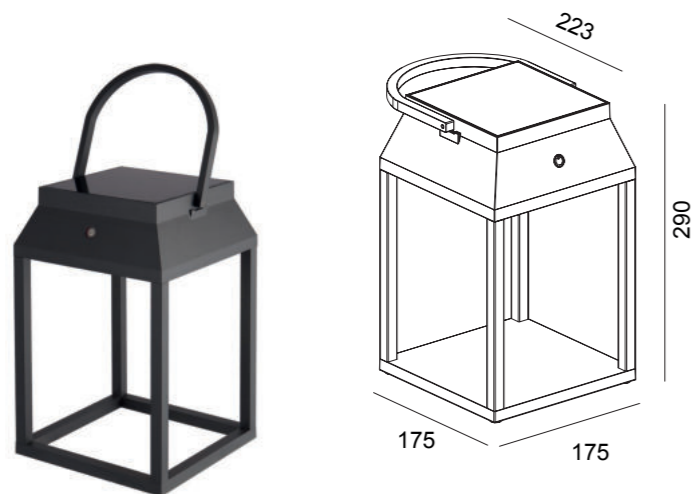


SAPPORO

3000K



7090 Grafito-Graphite
LED 3W 238lm



7091 Blanco-White
LED 3W 238lm



7092 Grafito-Graphite
LED 3W 238lm



7093 Blanco-White
LED 3W 238lm



Charge: 16~17H (sunshine)
6~7H (usbcharging)



Aluminio - Aluminium DC 3.7V CRI > 80



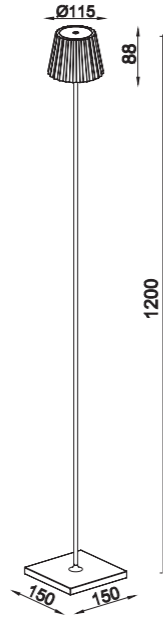
K2
3000K



K2

7100 Blanco-White
LED 2,2W 188 lm

7101 Negro-Black
LED 2,2W 188 lm



Aluminio-Aluminum DC 3.7V CRI > 80

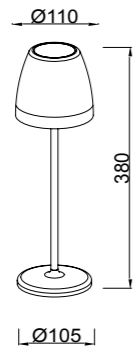


K3
3000K

7116 Blanco-White
LED 2W 155 lm



7115 Negro-Black
LED 2W 155 lm



Aluminio/PC-Aluminum/PC DC 5V/1A CRI > 85

IP54

IP54

K3



TU0662
3 polos



TU0663
3 polos



LED E27 Bulb

Características

- * Voltaje: AC 220-240V/50Hz
- * 15,000 hrs. vida útil
- * Encendido instantaneo con potencia total
- * Perfecta para reemplazar la lampara incandescente de 65W
- * Baja temperatura al tacto
- * Libre de mercurio, Libre de emision UV & IR
- * Esta lampara no es idonea para la iluminacion de acentuacion

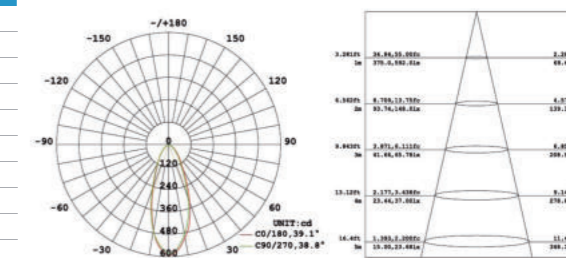
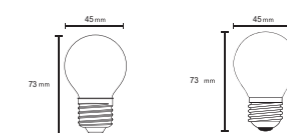
Features

- * Voltage: AC 220-240V/50Hz
- * 15,000hrs long life time
- * Instant start with full bright output flick free
- * Perfect replacement for 65W incandescent Bulb
- * Low temperature,safety to touch
- * No UV or IR emission, mercury FREE
- * This lamp is not suitable for accent lighting



6.5W E27 800 Lumen

Item No.	R09237	R09238
Potencia nominal/Wattage(W)		6.5
Temperatura de color/CCT(K)	3000K	4000K
Flujo luminoso/Luminous Flux(lm)	790	800
Tension nominal/Voltage(V)	AC 220-240V/50Hz	
Regulable/Dimmable	NO	
CRI	≥80	
Casquillo/Lamp Head	E27	
Angulo/Beam Angle(deg)	360°	
Material	Aluminio+Cristal/Aluminum+Glass	
Dimensiones/Dimensions(mm)	Φ45*73	



LED E14 Bulb

Características

- * Voltaje: AC 220-240V/50Hz
- * 15,000 hrs. vida útil
- * Encendido instantaneo con potencia total
- * Perfecta para reemplazar la lampara incandescente de 65W
- * Baja temperatura al tacto
- * Libre de mercurio, Libre de emision UV & IR
- * Esta lampara no es idonea para la iluminacion de acentuacion

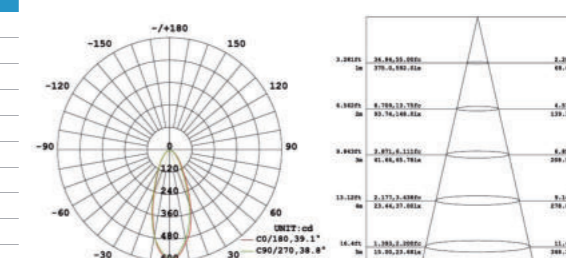
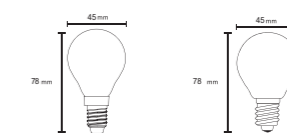
Features

- * Voltage: AC 220-240V/50Hz
- * 15,000hrs long life time
- * Instant start with full bright output flick free
- * Perfect replacement for 65W incandescent Bulb
- * Low temperature,safety to touch
- * No UV or IR emission, mercury FREE
- * This lamp is not suitable for accent lighting



6.5W E14 800 Lumen

Item No.	R09239	R09240
Potencia nominal/Wattage(W)		6.5
Temperatura de color/CCT(K)	3000K	4000K
Flujo luminoso/Luminous Flux(lm)	790	800
Tension nominal/Voltage(V)	AC 220-240V/50Hz	
Regulable/Dimmable	NO	
CRI	≥80	
Casquillo/Lamp Head	E14	
Angulo/Beam Angle(deg)	360°	
Material	A	
Dimensiones/Dimensions(mm)	Φ45*78	



6850.....	86
6851.....	86
7045.....	124
7046.....	124
7050.....	128
7051.....	128
7055.....	118
7056.....	118
7060.....	114
7061.....	114
7062.....	116
7063.....	116
7065.....	126
7066.....	126
7070.....	120
7071.....	120
7072.....	122
7073.....	122
7080.....	28
7081.....	28
7082.....	28
7083.....	28
7085.....	134
7086.....	132
7087.....	130
7088.....	138
7090.....	140
7091.....	140
7092.....	140
7093.....	140
7095.....	144
7096.....	145
7098.....	136
7100.....	142
7101.....	142
7105.....	106
7106.....	106
7107.....	104
7108.....	108
7109.....	108
7110.....	76
7111.....	76
7115.....	146
7116.....	146

7130.....	90
7131.....	92
7132.....	92
7133.....	94
7134.....	98
7135.....	96
7136.....	100
7137.....	98
7138.....	102
7175.....	78
7176.....	78
7177.....	78
7180.....	112
7181.....	112
7182.....	112
7183.....	112
7184.....	110
7185.....	110
7186.....	110
7187.....	110
7197.....	80
7198.....	80
7199.....	80
7200.....	22
7201.....	22
7202.....	22
7203.....	22
7204.....	22
7205.....	22
7206.....	22
7207.....	22
7208.....	24
7209.....	24
7210.....	24
7211.....	24
7212.....	24
7213.....	24
7214.....	24
7215.....	24
7216.....	22
7216_.....	24
7217.....	22
7217.....	24
7218.....	22

7218_.....	24
7219.....	22
7219.....	24
7220.....	22
7220.....	24
7221.....	22
7221.....	24
7222.....	22
7222.....	24
7223.....	22
7223.....	24
7224.....	22
7224.....	24
7240.....	72
7241.....	74
7290.....	52
7291.....	54
7292.....	64
7293.....	62
7294.....	20
7295.....	20
7296.....	66
7297.....	66
7298.....	68
7299.....	68
7300.....	70
7301.....	70
7305.....	34
7306.....	36
7307.....	38
7308.....	36
7308.....	38
7310.....	42
7311.....	46
7315.....	14
7317.....	16
7318.....	16
7319.....	14
7319_.....	16
7320.....	14
7320.....	16
7321.....	14
7321.....	16
7322.....	14

7322.....	16
TU0662.....	82
TU0663.....	82
XTS 142.....	82
XTS 143.....	82
XTS 212.....	82
XTS 213.....	82
XTS 242.....	82
XTS 243.....	82
XTS 342.....	82
XTS 343.....	82
XTS 352.....	82
XTS 353.....	82
SPW11SK 215.....	82
SPW11SK 315.....	82
XTSF 102.....	82
XTSF 103.....	82
SKB 102.....	82
SKB 103.....	82
XTSF 302.....	82
XTSF 303.....	82
SKB 122.....	82
SKB 123.....	82
XTS 41002.....	83
XTS 41003.....	83
XTS 42002.....	83
XTS 42003.....	83
XTSF41002.....	83
XTSF41003.....	83
XTSF42002.....	83
XTSF42002.....	83
XTS 112.....	83
XTS 113.....	83
XTS 122.....	83
XTS 123.....	83
XTS 412.....	83
XTS 413.....	83

Dirección Mantra
Pol. Ind. Los Vientos -Calle Alisio, parcela nº4 46119 Náquera · Valencia · Spain
Tel. +34 96 160 99 50
mantra@mantraco.org

Diseño gráfico y Comunicación
creativo@mantraco.org